



PLT

"PLT" SERIES' 350 Ohm NIKEL-PLATED LOAD CELL KITS FOR ASSEMBLING FLOOR SCALES



Ideal for creating platforms with 4 load cells of various sizes and capacities. The kit is made up of 4 350 Ohm IP67 nickel-plated load cells, OIML and NTEP approved, together with adjustable resting feet and an equalisation box.

**The best solution  
for advanced industrial  
applications**

## LOAD CELL TECHNICAL FEATURES

- Minimum load cell verification interval  $V_{min} = E_{Max} / 10.000$
- Maximum number of verification intervals  $n_{LC} = 3000$
- Combined error 0,017% of Full Scale Output (F.S.)
- Nonlinearity  $\pm 0.02\%$  FS
- Hysteresis  $\pm 0.02\%$  FS
- Repeatability  $\pm 0.01\%$  FS
- Full Scale Output  $2mV/V \pm 0.5\%$
- Zero balance  $\pm 1\%$  FS
- Compensated Temperature Range  $-10^{\circ}C/+50^{\circ}C$ .
- Operating Temperature Range  $-20^{\circ}C/+60^{\circ}C$ .
- Creep error after 30 minutes  $<0,02\%$  F.S.
- Maximum tolerated excitation voltage 15 Vdc
- Input Resistance  $380 \pm 20$  Ohm
- Output Resistance  $350 \pm 5$  Ohm
- Insulation Resistance  $>5000$  MOhm
- Safe Overload 150% F.S.
- Ultimate Overload 300% F.S.
- 6-wire shielded cable, 3.5m long, 5 mm diameter

## RESTING FEET

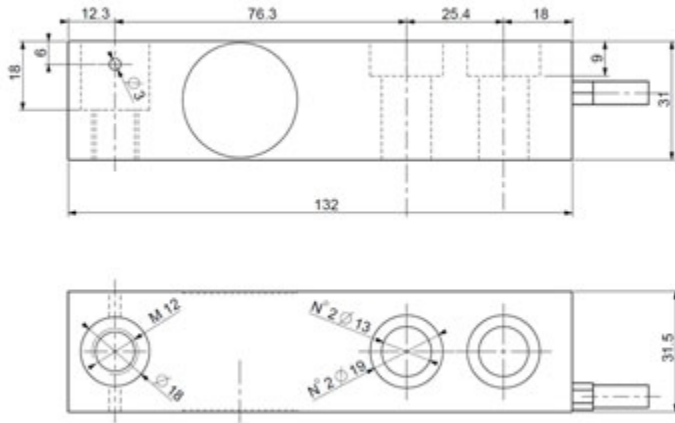
- Adjustable in height
- Nikel-plated steel structure
- Anti-slip base
- Ipsanitizable
- Fitted with locking bush

## JUNCTION BOX

- Built-in junction and equalisation board
- IP67 protection from dust and water
- 1 PG9 Fairlead and 4 PG7 Fairleads

## DIMENSIONS - DECODING STANDARD CABLE

- NOTE: dimensions in mm



- Decoding of the standard cable colours

Colour	Function
--	SHIELD
YELLOW	OUTPUT +
GREY	SENSE +
BROWN	INPUT +
WHITE	OUTPUT -
GREEN	INPUT -
PINK	SENSE -



MWS LTD

UNIT 6, MEER END - LE4 3EH - BIRSTALL - LEICESTER - UNITED KINGDOM

Tel. 08452602602

Fax. 0044-08452602612

E-mail [sales@mws.ltd.uk](mailto:sales@mws.ltd.uk)

Web [www.mws.ltd.uk](http://www.mws.ltd.uk)